

AETES

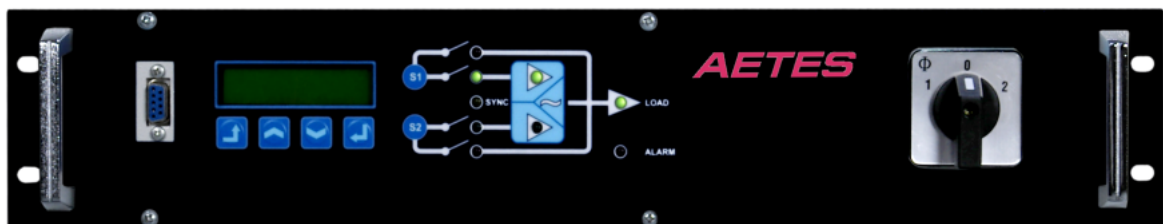
CRESCENT RACK STS

Fastest Switching Time

Multilingual LCD Control Panel

Fully Microprocessor Controlled Design

STS97XX



"...power alliance..."

DESCRIPTION

AETES "CRESCENT Rack" STS series are a single phase, dual pole static transfer switches, which can switch between to independent AC sources without interrupting the output power less than $\frac{1}{4}$ cycle.

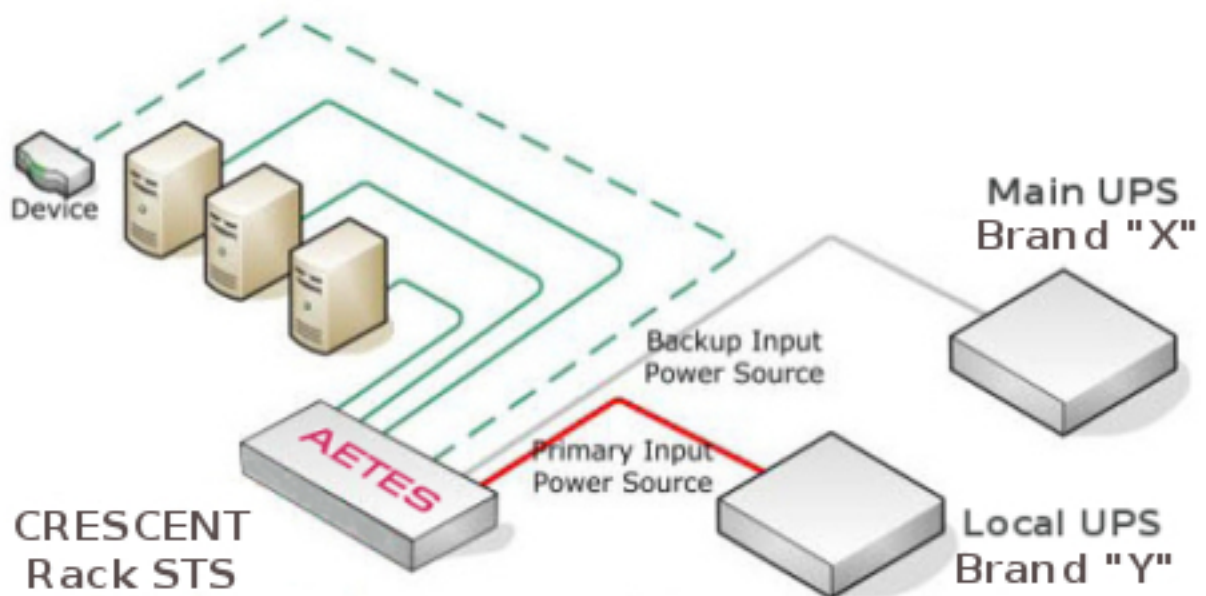
With a sense and transfer time of less than 5 ms, the "CRESCENT Rack" represents the highest performance power switching solution available for the most critical applications.

CRESCENT Rack STS systems provide cost-effective power protection for a wide range of applications including Telecom, Military, Data Centers and General Industrial.

FEATURES

- Advanced Communication Options for Remote Control & Monitoring.
- Manual by-pass for no-break operation of the load during maintenance.
- LCD control panel for Easy Operation
- Fully DSP logic for fast and Reliable Control.
- Source Priority Selection
- Password Protected Menu Structure
- Modbus Communication via RS232 Serial Port
- Adjustable Operation Parametres.
- Audible Alarm & Dry Contacts.
- 19" rack mount design to Easy Installation.
- High efficiency, up to 99%
- 3 Year Standard Warranty

APPLICATION



GENERAL SPECIFICATION

Nominal Voltage	<i>220/230/240 VAC or 110/120/127 VAC</i>
Frequency	<i>50/60 Hz full range</i>
Max. Current	<i>16A / 32A / 63A</i>
Transfer Time	<i>Less than 5 ms</i>
Efficiency	<i>up to 99%</i>
Overload	<i>125 % for 10 minutes 150 % for 1 minutes</i>
Temperature	<i>-5°C...+50°C</i>
Altitude max.	<i>2000 m above sea level</i>
Humidity	<i>0% ~ 90%</i>
Enclosure	<i>19" Rackmount Compact Steel Case</i>
Color	<i>Black RAL9004</i>
EMC Compatibility	<i>EN 50091-2 ; EN 60947-6-1</i>
Degree of protection	<i>IP21</i>
Weight	<i>24 kg</i>
Warranty	<i>3 Years</i>

MODELS

Model	Line	Current	Dimensions	Output Terminals
STS9723	220/230/240 VAC	16A	W (19") D(550 mm) H (1U)	(8) C13 (1)C19 Outlet
STS9724	220/230/240 VAC	32A	W (19") D(550 mm) H (2U)	Cable Terminal
STS9725	220/230/240 VAC	63A	W (19") D(550 mm) H (2U)	Cable Terminal
STS9713	110/120/127 VAC	16A	W (19") D(550 mm) H (1U)	(4) 5-20 NEMA Outlet
STS9714	110/120/127 VAC	32A	W (19") D(550 mm) H (2U)	Cable Terminal
STS9715	110/120/127 VAC	63A	W (19") D(550 mm) H (2U)	Cable Terminal